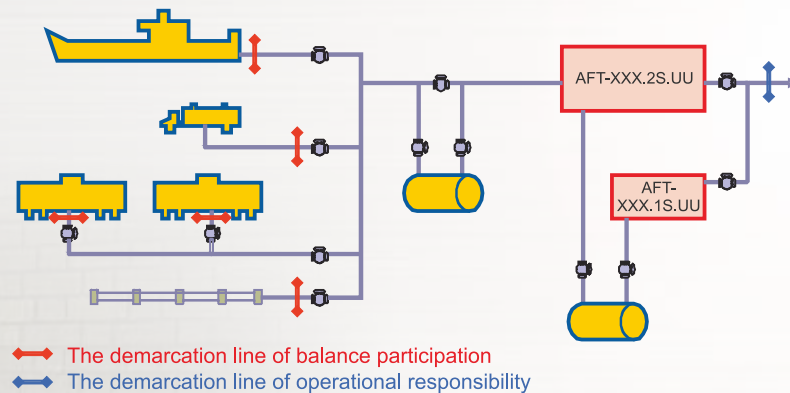


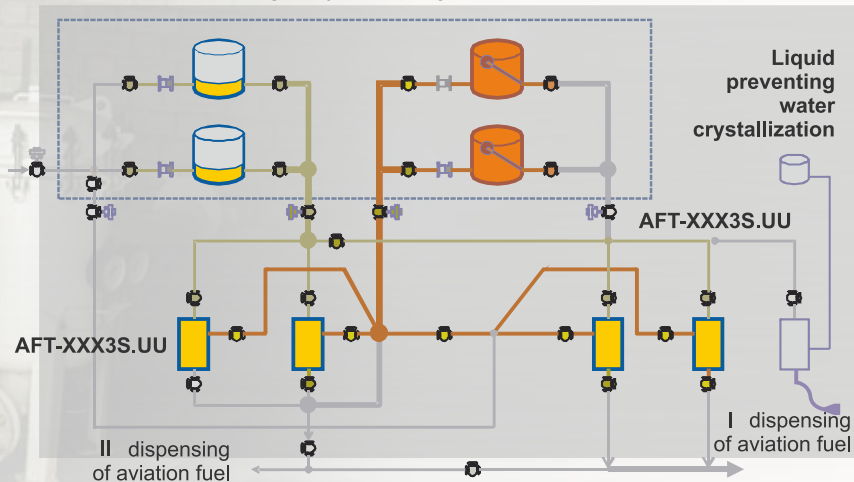


Typical flowsheet of aviation fuel supply

1. Reception of aviation fuel to the warehouse.



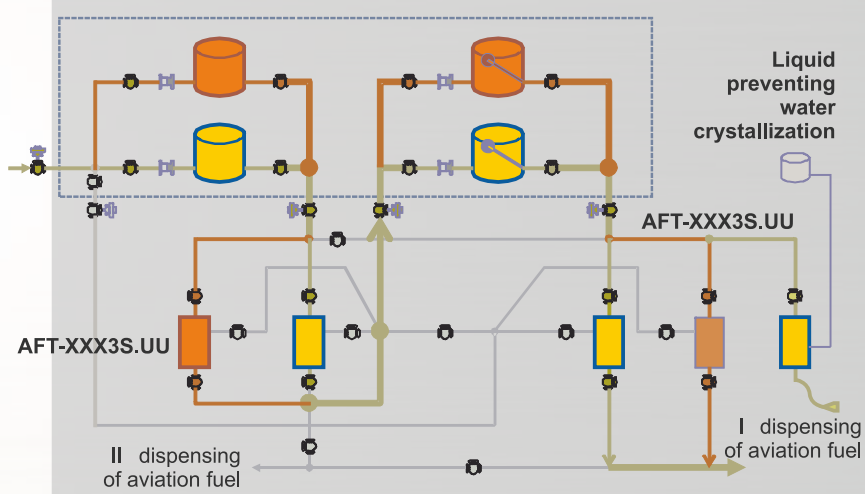
Emergency pumping out from slop tanks



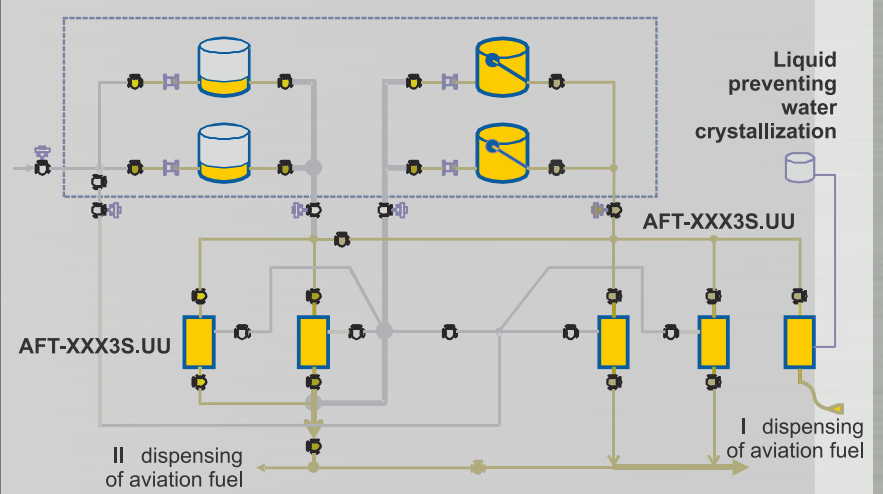
RESEARCH AND TESTING, DESIGN AND MANUFACTURE, INSTALLATION AND ADJUSTMENT OF FUELING AND FILTRATION EQUIPMENT

AGREGATE

Basic mode of switching

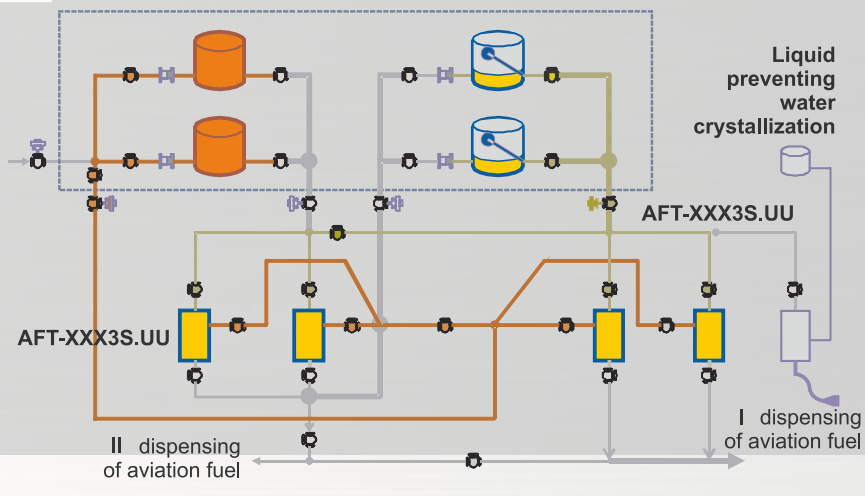


Maximum dispensing throughput



Pumping of aviation fuel inside a warehouse

Emergency pumping out from feed tanks



Mode of warehouse operation with a minimum output

