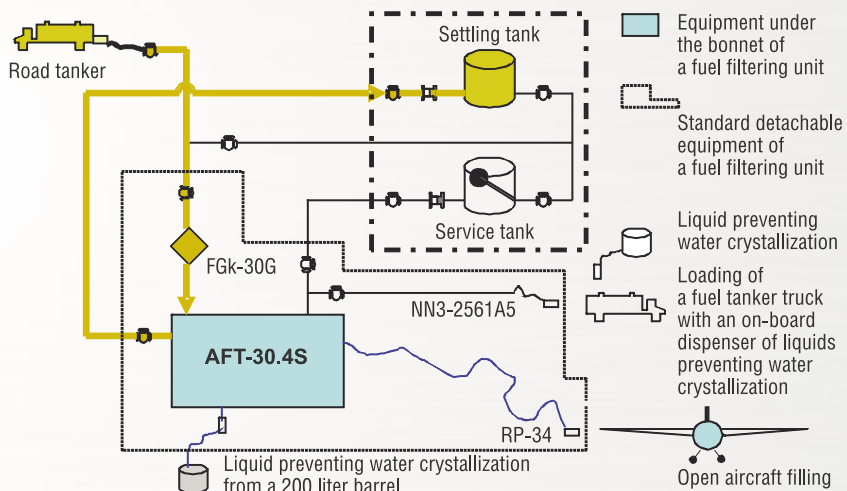




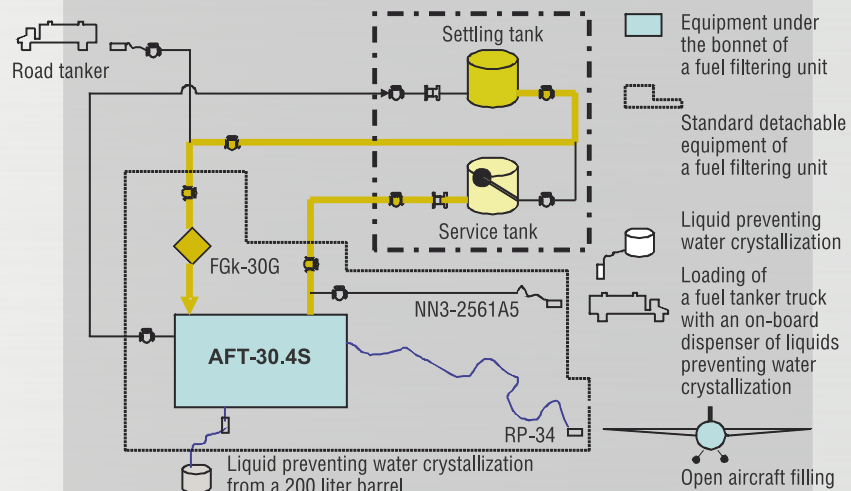
**A simplified scheme of aviation fuel supply on the basis of the AFL-30.4S**

**RESEARCH AND TESTING, DESIGN AND MANUFACTURE, INSTALLATION  
AND ADJUSTMENT OF FUELING AND FILTRATION EQUIPMENT**

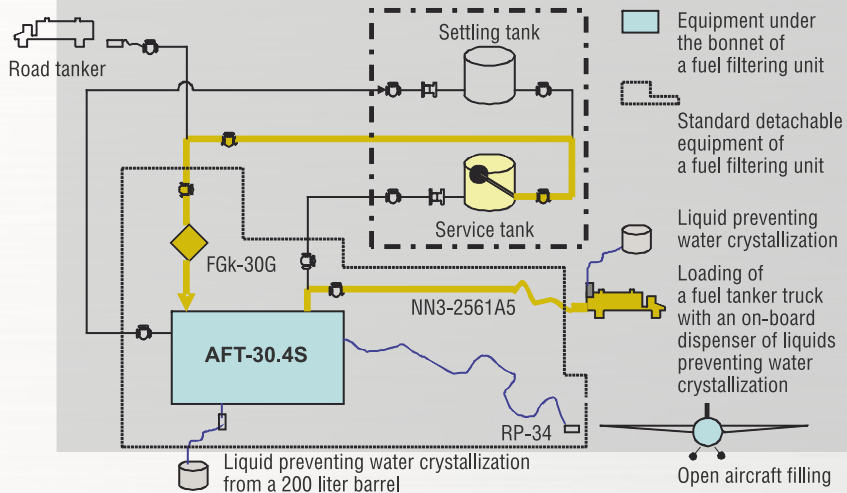
## Reception of aviation fuel to the warehouse



## Pumping of aviation fuel inside a warehouse



## Closed mode of aviation fuel loading into a refueling truck



## Open mode of aviation fuel loading into an aircraft

