

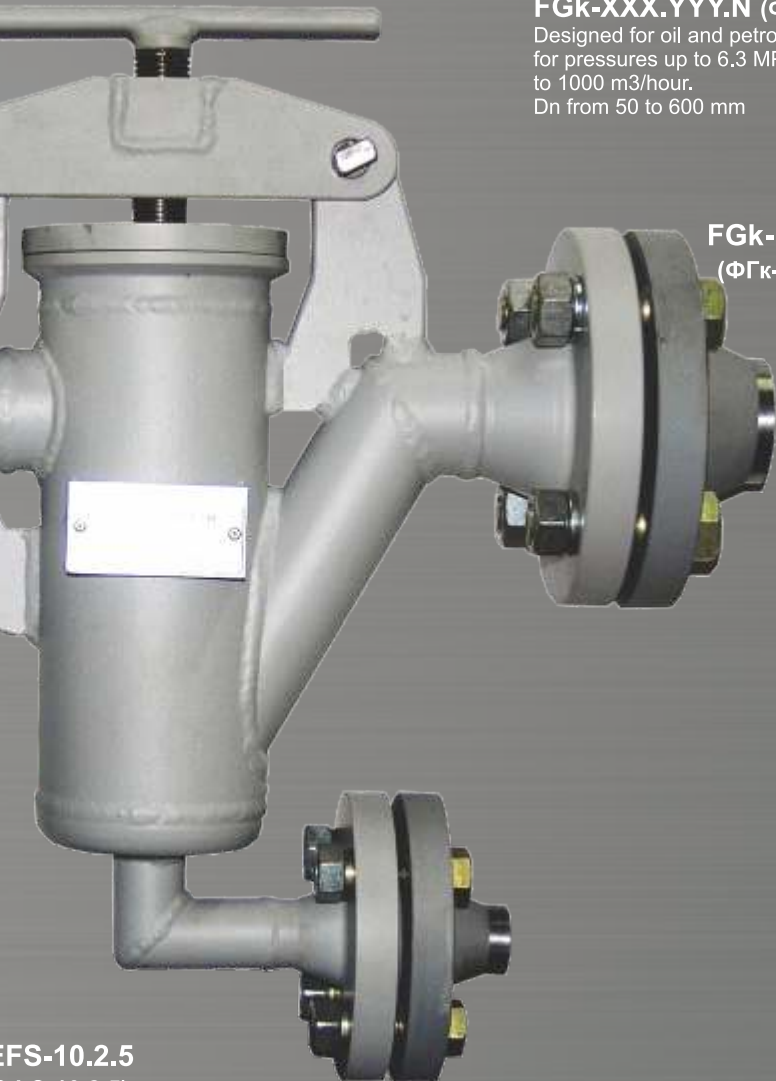


Filters for oil



RESEARCH AND TESTING, DESIGN AND MANUFACTURE, INSTALLATION AND ADJUSTMENT OF FUELING AND FILTRATION EQUIPMENT

FGk-XXX.YYY.N (ФГк-XXX.YYY.Н), 12 types
 Designed for oil and petroleum products filtration. Meant for pressures up to 6.3 MPa, throughput capacity from 10 to 1000 m³/hour.
 Dn from 50 to 600 mm



FGk-10.50
 (ФГк-10.50)



FGk-700.400
 (ФГк-700.400)

EFS-10.2.5
 (ЭФС-10.2.5)

EFS-700.5.8
 (ЭФС-700.5.8)





FGu – 330.250 (ФГy – 330.250)
Designed for oil and petroleum products
filtration.

**RESEARCH AND TESTING, DESIGN AND MANUFACTURE, INSTALLATION
AND ADJUSTMENT OF FUELING AND FILTRATION EQUIPMENT**

A G R E G A T E



Komsomolskaya str. 12b, Chekhov, Russia, 142307, www.agregatnpo.ru
tel.: +7 496 723 723 5, fax.: +7 496 723 723 7, info@agregatnpo.ru